



7030/7031 INSTRUCTION MANUAL

Freehub

The grease in the freehub pawls should be replaced if it becomes contaminated with water. Replace the seal at the same time, contact Saris Cycling Group for replacement parts. Saris Cycling Group recommends the following types of grease to ensure proper functioning:

- Kluber Isoflex NB52 o
- Dupont Krytox GPL226

Warning: Failure to use the proper grease on the freehub pawls could result in engagement problems.

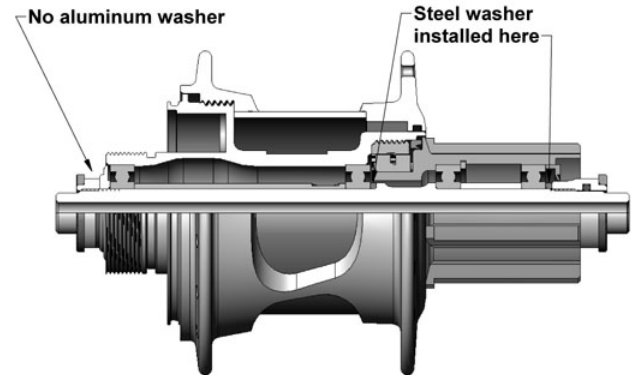
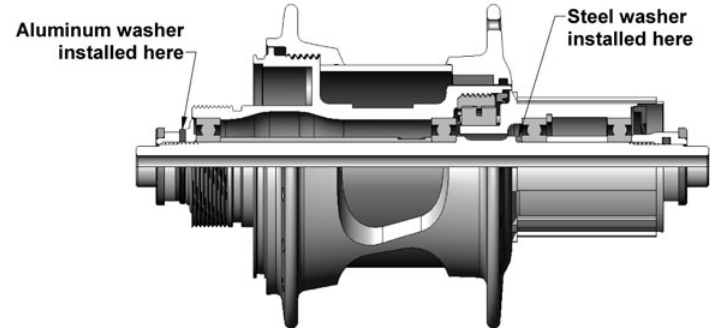
Freehub replacement

- Use 5mm hex wrench and 17mm bike wrench and remove both end nuts from the axle.
- Remove the axle
- Remove the freehub and spacers.
- Remove all old grease from the freehub ratchet ring.
- Install spacers per the illustration.
- Install axle.
- Apply 2 grams of high quality freehub grease to the ratchet ring.
- Grease the V seal and place it on the freehub and install onto shaft.
- Replace end nuts. Torque end nuts to 12 lbs-ft.

Saris Cycling Group
5253 Verona Road
Madison, WI 53711
800-783-7257
www.cycleops.com

16226 12/04

SL Hub for Shimano system



SL Hub for Campagnolo system